



SAVAGE
BROS. CO.
S I N C E 1 8 5 5

One Person Speedy Packing Table →

Designed for Assortment Packing

Perfect for Retail Stores, Small Factories, and short runs in Larger Factories

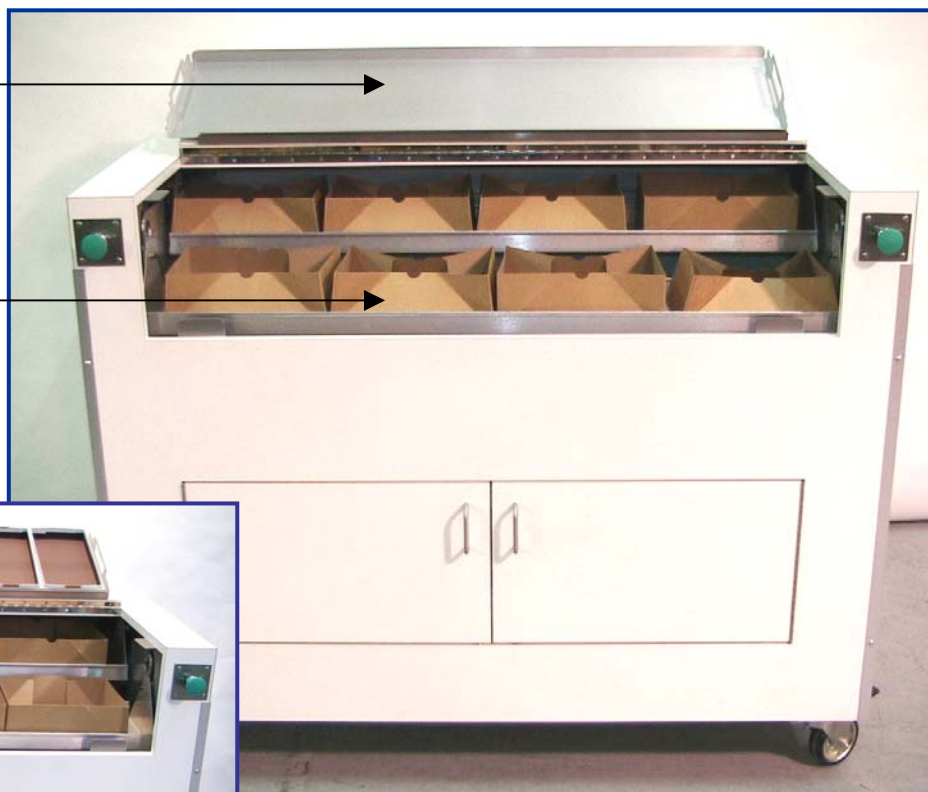
30+ One-pound boxes per hour with 1 person

Removable Tray

Lift and move multiple filled boxes to finishing area quickly and easily

Rotating shelves

Nine inside tray shelves, will accommodate up to 36 MOD PAC 5-lb size bulk boxes



- Efficient - 50% more productive than a conventional packing table
- A "Packing Department on Wheels"- for easy mobility, storage, and organization
- 120 Volts for "anywhere" use
- Size - 51" wide x 34" deep x 42" high

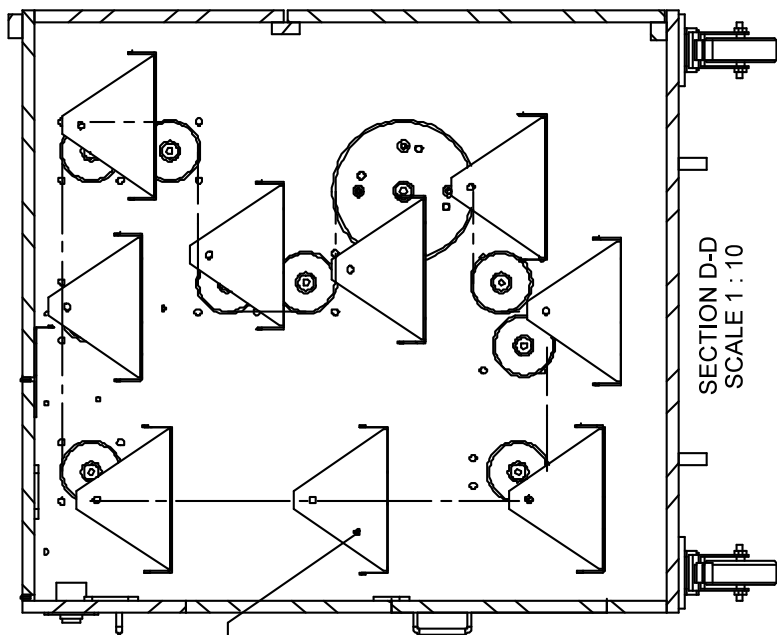
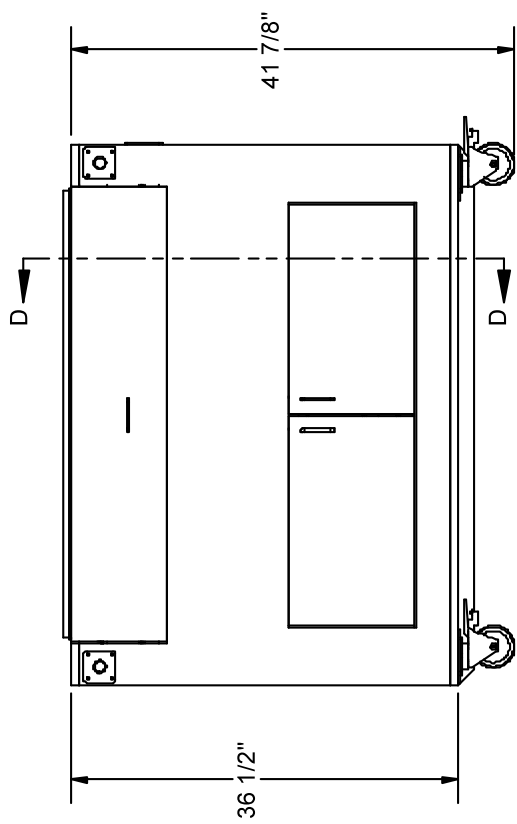
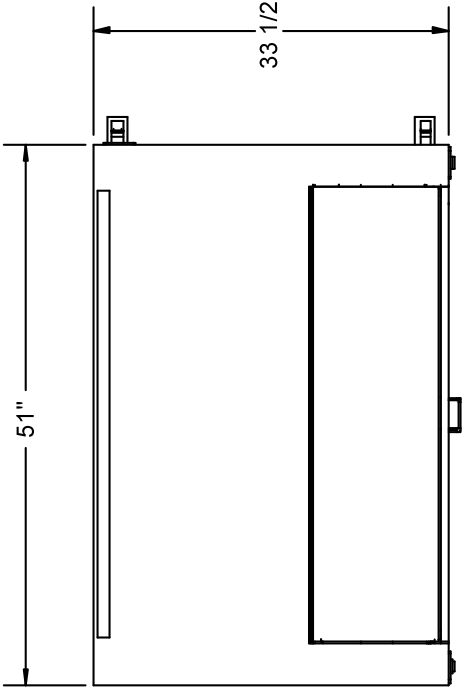
Item # 4900

1125 Lunt Avenue ♦ Elk Grove Village, IL 60007 ♦ U.S.A.

Ph: 847-981-3000 ♦ USA Fax: 800-2-SAVAGE ♦ World Fax: 847-981-3010

Web Site: www.savagebros.com ♦ E-Mail: info@savagebros.com

The Carousel Line – Machinery For the Efficient Retail Candy-maker



SECTION D-D
SCALE 1 : 10

MAT. ---

FIN. -

UNLESS OTHERWISE SPECIFIED
ALL DIMENSIONS ARE INCHES
TOLLERANCES ARE
.X = +.03
.XX = +.01
.XXX = +.005
ANGLES = +0.5°
SURFACE FINISH = 125 MIC. IN
BREAK AND DEBURR ALL EDGES

DO NOT SCALE DRAWING

Savage Bros. Co.
1125 W. Lunt Ave
Elk Grove Village, IL 60007 U.S.A.
Phone: (847) 981 - 3000
USA Fax: (800) 2 - SAVAGE
World Fax: (847) 981 - 3010



PERSONAL PACKER
FOOTPRINT

DWG. NUM. RD-4900

DRAWN BY ML

DATE 08.19.04

SCALE: 1:17

SHEET 1 OF 1