

**QUOTATION**

FOR QUOTATIONAL PURPOSES ONLY

ALL DESIGNS SUBJECT TO FINAL APPROVAL BEFORE MANUFACTURE

UNLESS OTHERWISE SPECIFIED ALL DIMENSIONS ARE INCHES

DO NOT SCALE DRAWING



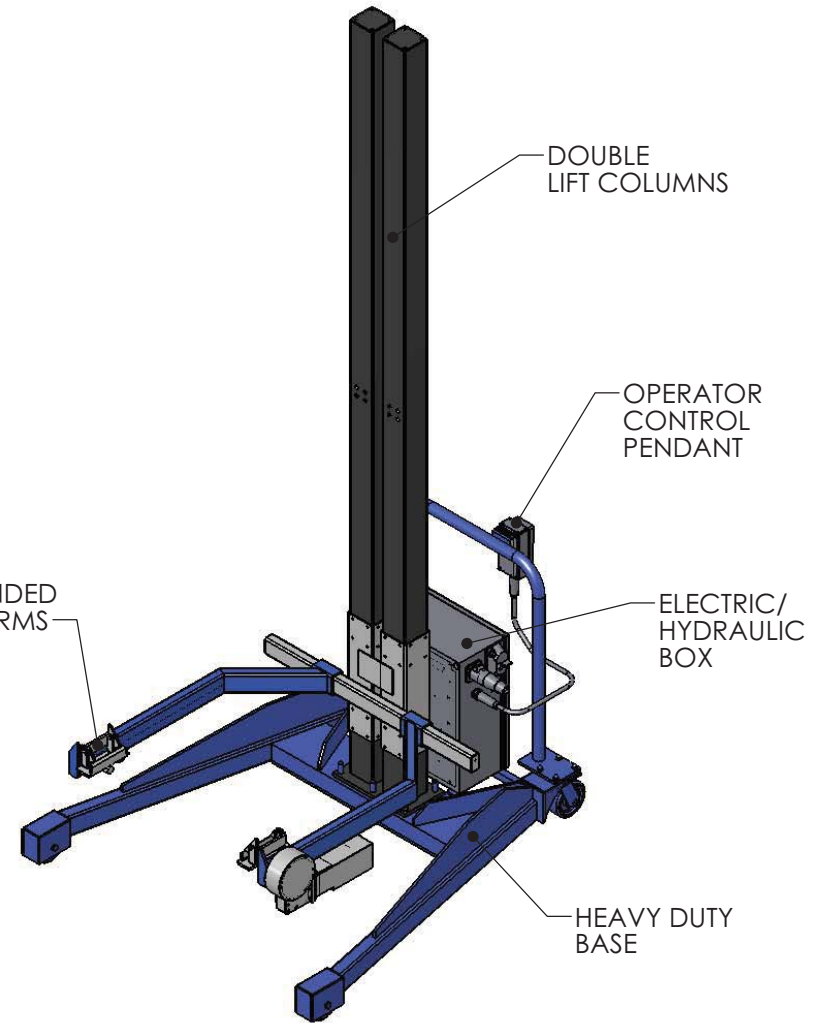
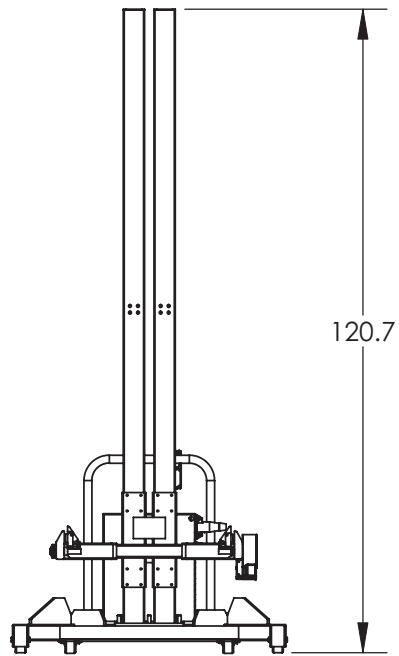
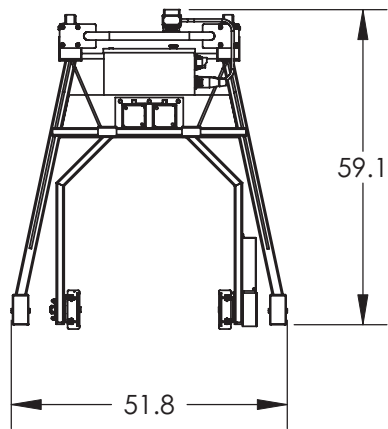
**SAVAGE BROS. CO.**

1125 W. Lunt Ave  
Elk Grove Village, IL 60007 U.S.A.  
Phone: (847) 981 - 3000  
USA Fax: (800) 2 - SAVAGE  
World Fax: (847) 981 - 3010

LIFTILTRUK MODEL E+  
OVERALL DIMENSIONS

DWG. NUM. SD-0790-10

DRAWN BY	DATE	SCALE	SHEET
MP	08-19-08	SCALE: 1:32	1 OF 1



**QUOTATION**

FOR QUOTATIONAL PURPOSES ONLY

ALL DESIGNS SUBJECT TO FINAL APPROVAL BEFORE MANUFACTURE

DIMENSIONS SHOWN ARE [MILLIMETERS] INCHES

DO NOT SCALE DRAWING



**SAVAGE BROS. CO.**

1125 W. Lunt Ave  
Elk Grove Village, IL 60007 U.S.A.  
Phone: (847) 981 - 3000  
USA Fax: (800) 2 - SAVAGE  
World Fax: (847) 981 - 3010

LIFTILTRUK E+ WITH CUSTOM TROUGH  
OVERALL DIMENSIONS

DWG. NUM. SD-LTTEPLUS\_TROUGH

DRAWN BY	DATE	SCALE	SHEET
MP	11-23-09	SCALE: 1:36	1 OF 2