



**SAVAGE**  
**BROS. CO.**  
SINCE 1855

1125 Lunt Avenue  
Elk Grove Village, IL 60007-5023 USA



Phone: 847-981-3000  
USA Fax: 800-2-SAVAGE  
World Fax: +847-981-3010

E-mail: [info@savagebros.com](mailto:info@savagebros.com)  
Web: [www.savagebros.com](http://www.savagebros.com)

*A 21<sup>st</sup> Century Company . . . with 19<sup>th</sup> Century Craftsmanship*

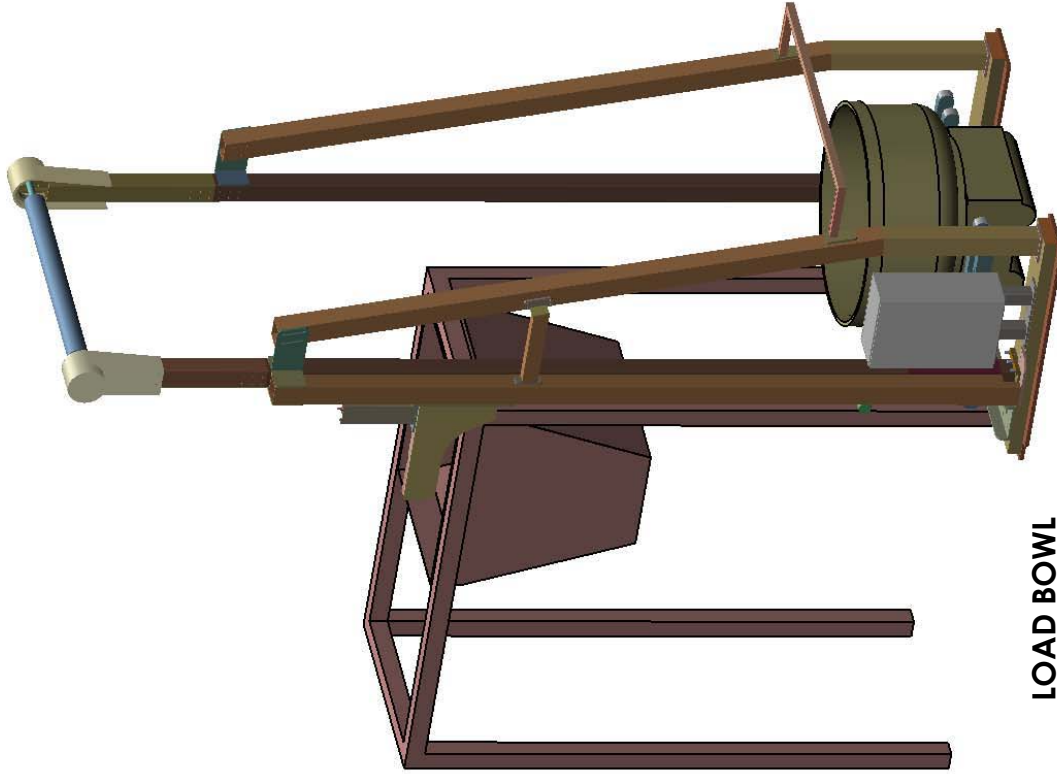
## HEAVY LIFT FIXED-IN-PLACE SPIRAL MIXER BOWL LIFT & DUMP



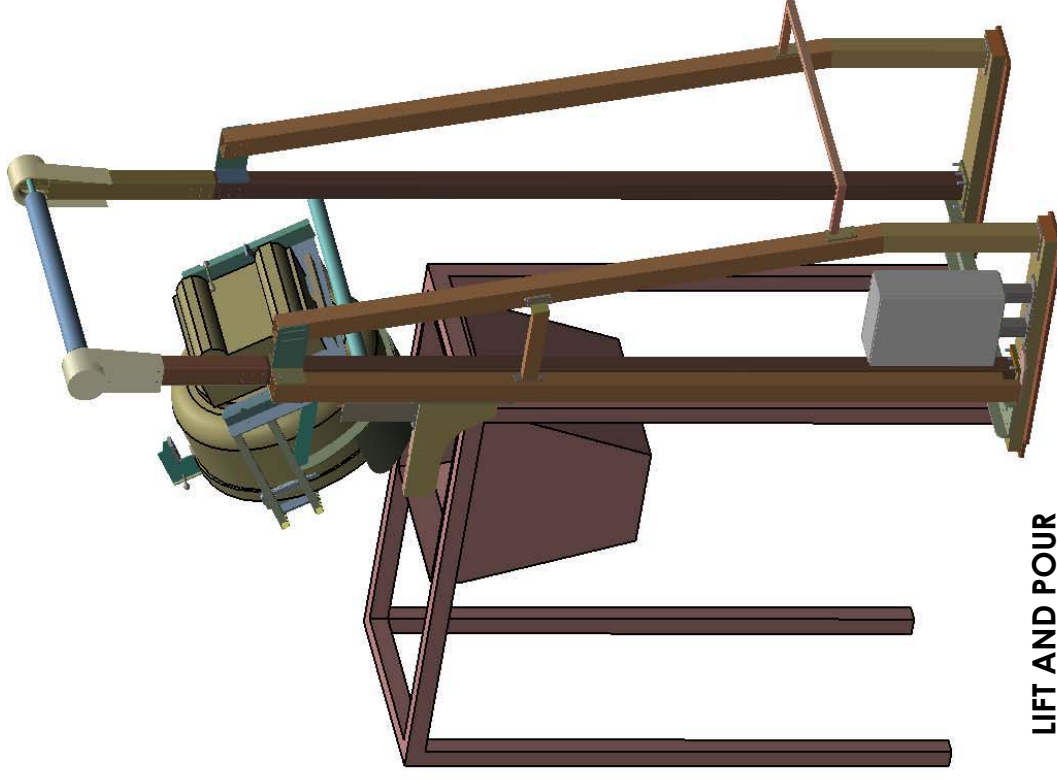
- Up to 1600 LB / 725 KG lifting capacity
- Pre-set dump height based upon YOUR hopper



Gas & Electric Stoves + Copper & Stainless Kettles + Freemixer Cooker-Mixers + Carousel Line + Bowl & Kettle Lift/Trucks + Cooling Tables + Chocolate Tempering + Depositing & Transfer Systems



**LOAD BOWL**



**LIFT AND POUR**

DO NOT SCALE DRAWING



**Savage Bros. Co.**  
 1125 W. Lunt Ave  
 Elk Grove Village, IL 60007 U.S.A.  
 Phone: (847) 981 - 3000  
 USA Fax: (800) 2 - SAVAGE  
 World Fax: (847) 981 - 3010

**DOUBLE COLUMN FIXED LIFTER  
 OVERALL DIMENSIONS**

DWG. NUM. SD-DOUBLE\_COLUMN\_LIFTER

DRAWN BY MP

DATE 05-19-08

SCALE 1:36

SHEET

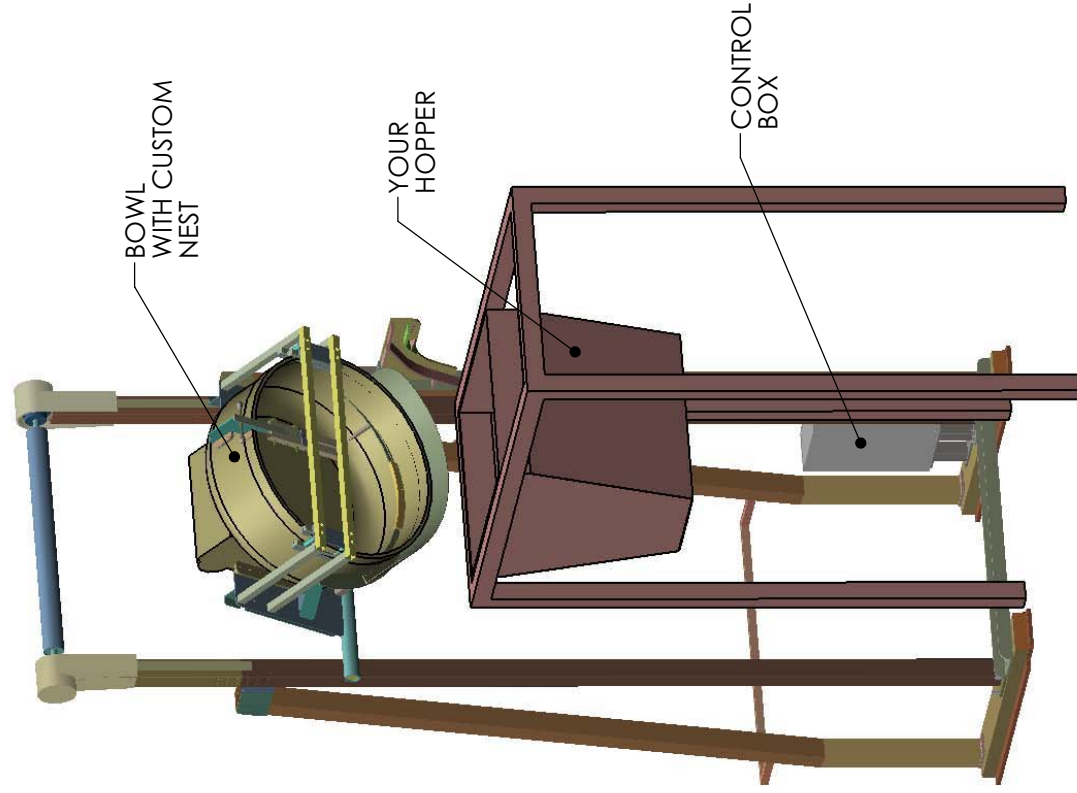
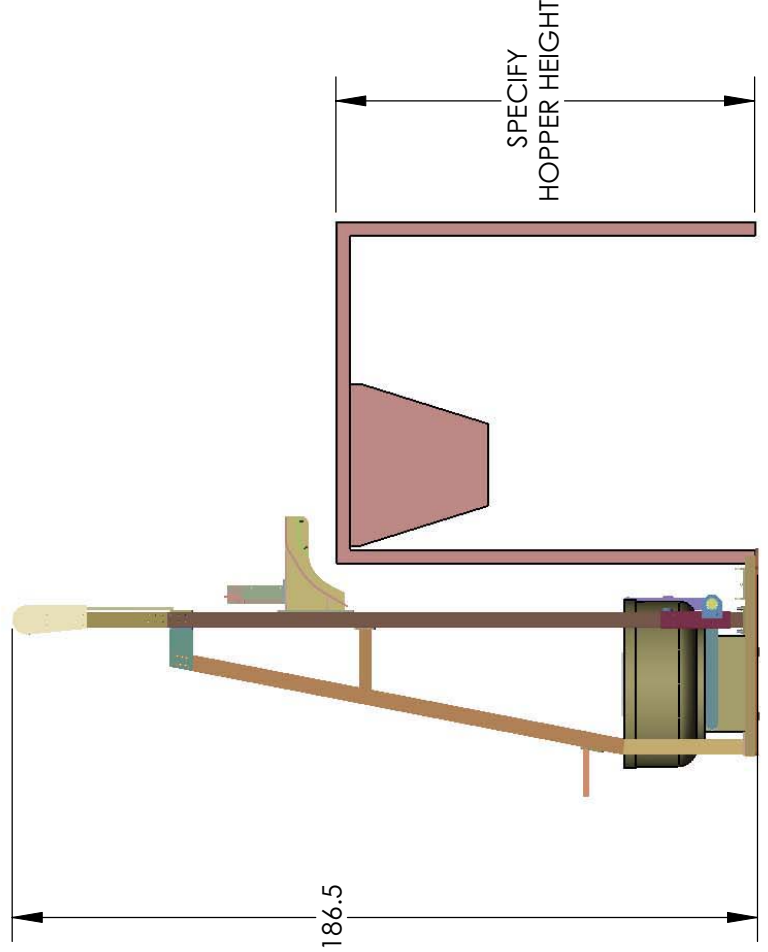
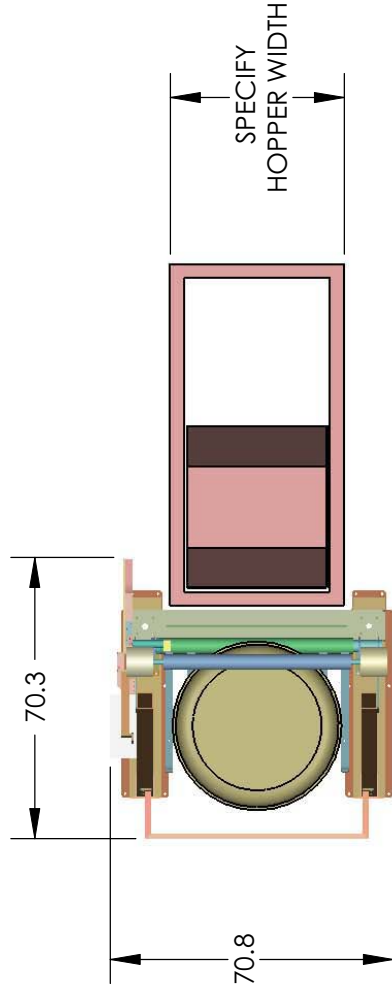
2 OF 2

**QUOTATION**

FOR QUOTATIONAL PURPOSES  
 ONLY

ALL DESIGNS SUBJECT TO  
 FINAL APPROVAL BEFORE  
 MANUFACTURE

UNLESS OTHERWISE SPECIFIED  
 ALL DIMENSIONS ARE INCHES



**QUOTATION**  
 FOR QUOTATIONAL PURPOSES ONLY  
 ALL DESIGNS SUBJECT TO FINAL APPROVAL BEFORE MANUFACTURE  
 UNLESS OTHERWISE SPECIFIED ALL DIMENSIONS ARE INCHES

DO NOT SCALE DRAWING

**SAVAGE BROS. CO.**  
 1125 W. Lunt Ave  
 Elk Grove Village, IL 60007 U.S.A.  
 Phone: (847) 981 - 3000  
 USA Fax: (800) 2 - SAVAGE  
 World Fax: (847) 981 - 3010

DOUBLE COLUMN FIXED LIFTER  
 OVERALL DIMENSIONS

DWG. NUM. SD-DOUBLE\_COLUMN\_LIFTER  
 DRAWN BY MP DATE 05-19-08 SCALE 1:48 SHEET 1 OF 2