



SAVAGE
BROS. CO.
S I N C E 1 8 5 5

1125 Lunt Avenue
Elk Grove Village, IL 60007-5023 USA

Phone: 847-981-3000
USA Fax: 800-2-SAVAGE
World Fax: +847-981-3010

E-mail: info@savagebros.com
Web: www.savagebros.com

A 21st Century Company . . . with 19th Century Craftsmanship

Portable Agitator

A time and labor saver...

boost production with every batch, while you are doing other work!



Portable Agitator shown in a 20"x11" copper kettle on a #20 Gas Stove with optional Digital Thermometer Unit

Look at these features:

- Spring-loaded scrapers
- Fixed breaker bar adds to mixing action
- Standard: 120V / 60 HZ / 1 Phase / 28 RPM motor
Optional: 240V / 50 HZ / 1 Phase / 22 RPM motor
- Mounts snugly into kettle handles
- Safety switch permits operation only when level
- Slot for optional digital thermometer unit



Storage Dolly with Drip-pan
To collect scraper drippings

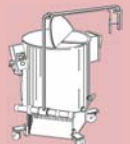
For 20"x11" Savage Kettle

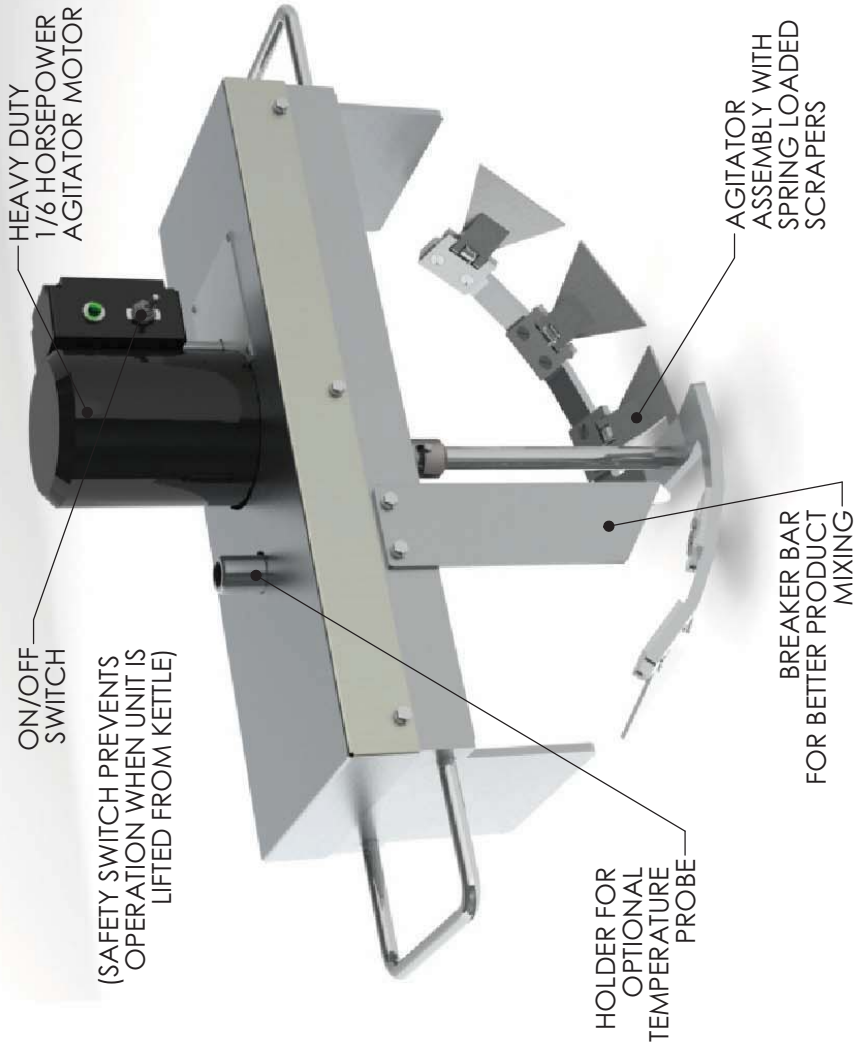
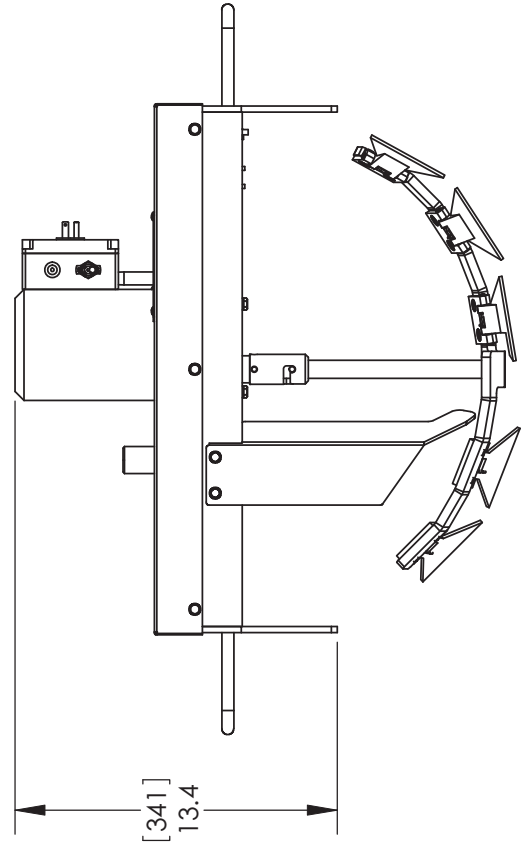
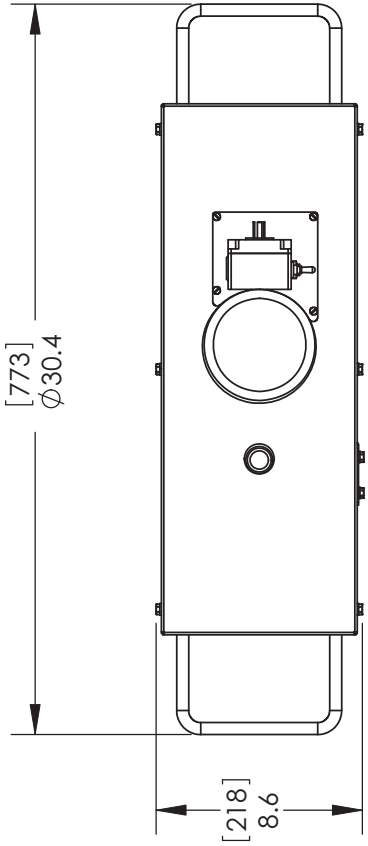
#1801 – 120VAC 60 Hz Electric
#1801-80 – 240VAC 50 Hz Electric

For 20"x 16" Savage Kettle

#1803 – 120VAC 60 Hz Electric
#1803-80 – 240VAC 50 Hz Electric

Kettle Thermometer no longer comes with Portable Agitator.
Digital Thermometer available separately.





DO NOT SCALE DRAWING

SAVAGE BROS. CO.
 1125 W. Lunt Ave
 Elk Grove Village, IL 60007 U.S.A.
 Phone: (847) 981 - 3000
 USA Fax: (800) 2 - SAVAGE
 World Fax: (847) 981 - 3010

PORTABLE AGITATOR
 OVERALL DIMENSIONS

DWG. NUM. SD-1801
 DRAWN BY MP
 DATE 04-27-09
 SCALE 1:8
 SHEET 1 OF 1

QUOTATION
 FOR QUOTATIONAL PURPOSES ONLY

ALL DESIGNS SUBJECT TO FINAL APPROVAL BEFORE MANUFACTURE

UNLESS OTHERWISE SPECIFIED ALL DIMENSIONS ARE INCHES

UNITS: [MILLIMETERS]
 INCHES