



**SAVAGE
BROS. CO.**
S I N C E 1 8 5 5

A 21st Century Company . . . with 19th Century Craftsmanship

1125 Lunt Avenue
Elk Grove Village, IL 60007-5023 USA



Phone: 847-981-3000
USA Fax: 800-2-SAVAGE
World Fax: +847-981-3010

E-mail: info@savagebros.com
Web: www.savagebros.com

Remote Digital Stove Controller

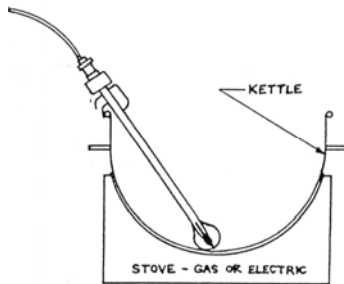
The **Savage Bros.** Remote Digital Temperature Controller is a highly accurate instrument with a state-of-the-art temperature sensor. Marry this instrument with a Savage Gas Stove that has been equipped for external control, and you have a **Gas Candy Cooker!**

Features include:

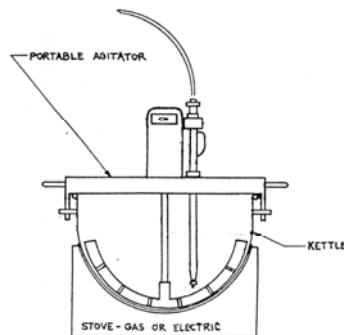
- A digital temperature instrument with set-point and actual temperature displays.
- Audible alarm to alert the operator as the batch temperature approaches the set-point.
- At set-point, stove burner will automatically cycle ON/OFF to maintain batch temperature until operator takes action
- Temperature sensor probe is encased in a stainless steel sleeve – models available for use in kettle or portable agitator.
- 10' flexible cable allows mobility.
- Standard wall mount box or optional stand.
- Simpler digital thermometers available to monitor batch temperature only without stove control.



Digital Stove Controller on *optional* stand shown with special #20 Gas Stove equipped for external control



Remote Sensor in Kettle



Remote Sensor used with Portable Agitator



Operator control cover
Standard Wall Mount or optional Stand Mount



Gas & Electric Stoves ♦ Copper & Stainless Kettles ♦ FireMixer Cooker-Mixers ♦ Hi-Speed Cookers ♦ Bowl & Kettle Lift/Trucks ♦ Cooling Tables ♦ Chocolate Tempering ♦ Depositing & Transfer Systems



Temperature sensor probe for kettle



Temperature Sensor Probe for Portable Agitator

GAS STOVES EQUIPPED WITH 24VAC ELECTRIC SOLENOID VALVE & INTEGRATED DIGITAL TEMPERATURE CONTROLLERS

TO CREATE GAS COOKER SYSTEM - TWO PART NUMBERS REQUIRED

- 1 Select size stove - #20 or #33
- 2 Select type gas - Natural Gas (NG) or Liquefied Propane Gas (LP)
- 3 Add Digital Controller
 - Select Wall or Stand Mount
 - Select 115VAC or 230VAC
 - NEW Temperature probe fits both Kettle and Portable Agitator

0220-50 #20 Cooker with WALL Mount Control - NG

1100-50 Wall Digital Control 115V
1100-85 Wall Digital Control 230V

0221-50 #20 Cooker with WALL Mount Control - LP

1100-50 Wall Digital Control 115V
1100-85 Wall Digital Control 230V

0220-50 #20 Cooker with STAND Mount Control - NG

1100-25 Stand Digital Control 115V
1100-75 Stand Digital Control 230V

0221-50 #20 Cooker with STAND Mount Control - LP

1100-25 Stand Digital Control 115V
1100-75 Stand Digital Control 230V

0230-50 #33 Cooker with WALL Mount Control - NG

1100-50 Wall Digital Control 115V
1100-85 Wall Digital Control 230V

0231-50 #33 Cooker with WALL Mount Control - LP

1100-50 Wall Digital Control 115V
1100-85 Wall Digital Control 230V

0230-50 #33 Cooker with STAND Mount Control - NG

1100-25 Stand Digital Control 115V
1100-75 Stand Digital Control 230V

0231-50 #33 Cooker with STAND Mount Control - LP

1100-25 Stand Digital Control 115V
1100-75 Stand Digital Control 230V

