



Nonmetallic Inspection Windows

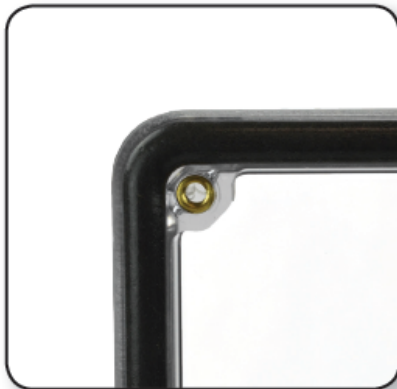


Allied Moulded Products inspection window kits are designed to provide visibility and easy viewing access to equipment and components installed in an enclosure while maintaining ratings up through NEMA Type 4X.

The window kits feature a clear polycarbonate thermoplastic design that is strong and rigid. It includes all mounting hardware to securely fasten it to an enclosure on a flat surface. A Formed-In-Place (FIP) polyurethane gasket system is also included. The mounted window protects from outside elements such as ultraviolet UV rays, dirt, dust and water.

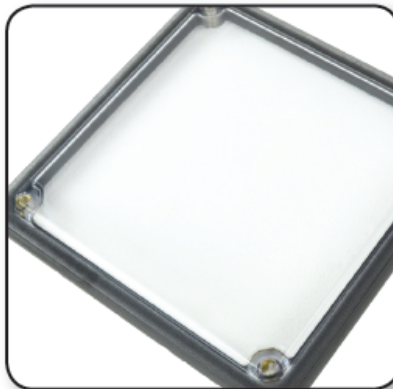
Available in three convenient sizes to allow for sufficient viewing space in any required application. Recognized component for use with enclosures rated NEMA Types 1, 3, 3R, 4, 4X, 12 or 13.

Though it is small, Allied Moulded's inspection window provides a variety of features and benefits to suit even the toughest applications. From the threaded brass inserts, to the formed-in-place gasket, every feature allows our product to stand out from the competition.



Formed-In-Place Gasket System

Polyurethane gasket system, encased in a continuous channel for maximum protection from extreme weather conditions and environments.



Aesthetically Pleasing Design

Uniform design with slightly raised cover plate edges for a maximum viewing area. The polycarbonate window allows for crystal clear vision inside the enclosure.



Threaded Brass Inserts

#10-32 threaded brass inserts allow the window to be securely fastened to the enclosure. No need to worry about loose connections!

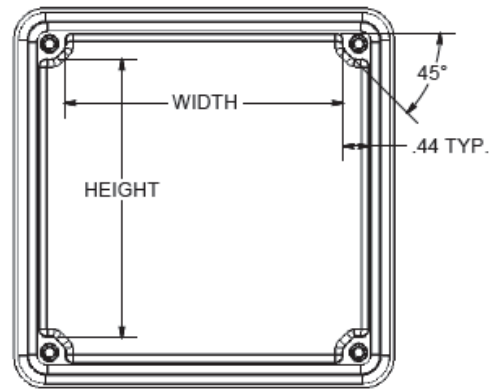
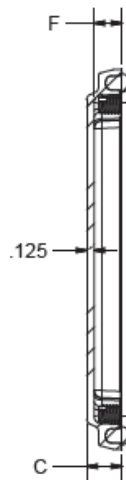
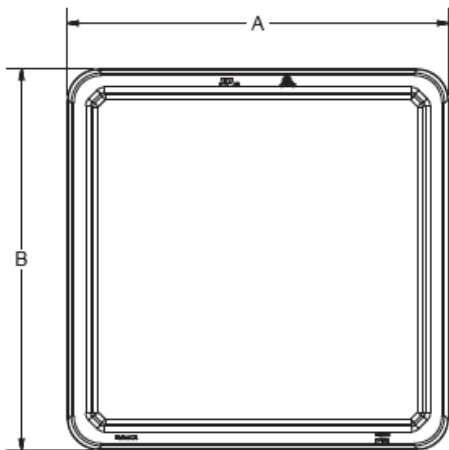




Ordering Information

Part No.	Frame Size Inside Dimensions			Usable Depth F	Max Viewing Area		Nom. Wall Thickness
	A	B	C		Width	Height	
AMHMI66CX	6.5	6.5	0.6	0.47	5.64	5.64	0.125
	165mm	165mm	15mm	12mm	143mm	143mm	3mm
AMHMI95CX	7.25	10	0.6	0.47	5.55	9.14	0.125
	184mm	254mm	15mm	12mm	141mm	232mm	3mm
AMHMI138CX	9.7	14.7	0.6	0.47	8	13	0.125
	246mm	373mm	15mm	12mm	203mm	330mm	3mm

All dimensions are in inches unless otherwise noted.



VIEWABLE AREA

***For more information on Allied Moulded Products
Inspection Windows, call ECD at 847-516-2524***

