



Industrial LED Light Strips



The Patlite CWB series of Industrial LED Light Strips are extremely efficient and designed to last up to 10 times longer than fluorescent lamps. The CWB provides a safe alternative to standard lighting solutions. The Eco friendly design has no presence of mercury or toxic materials.

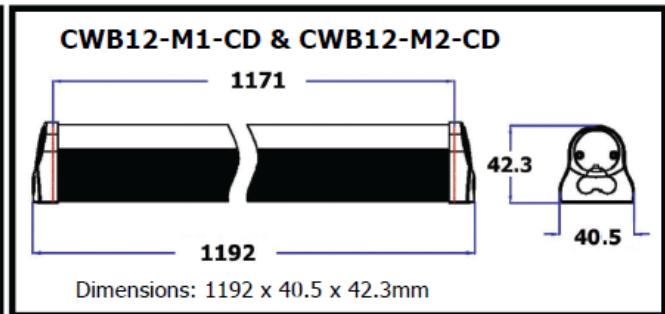
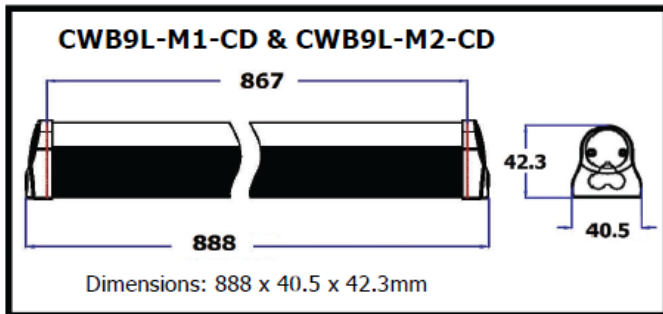
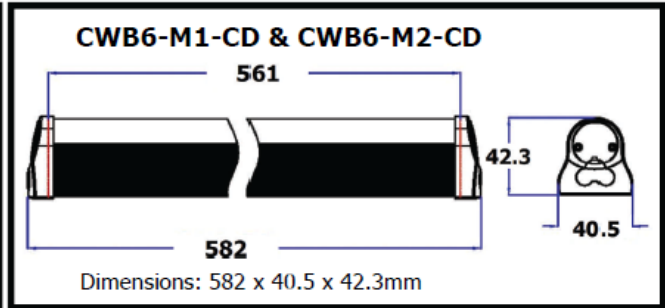
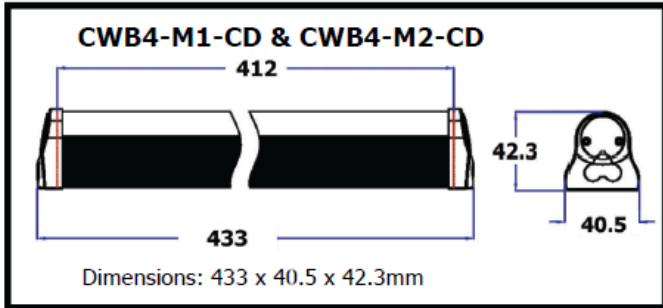
- Acrylic Housing – no risk of broken glass
- Polycarbonate & Aluminum Body
- No ballast needed
- Low maintenance costs
- Outlet plug (100-240 VAC) or Lead Wiring (8-24 VDC)
- Operating Temp: -4°F to +113°F
- IP40 Rating

Part Number	Rated Voltage	Length		Power Consumption	Lumens	Color Temperature
		inches	mm	Watts	lm	Kelvin
CWB4-M1-CD	8 - 24 VDC	17.0	433	8	720 - 800	6000 - 6500
CWB6-M1-CD	8 - 24 VDC	22.9	582	9	810 - 900	6000 - 6500
CWB9-M1-CD	8 - 24 VDC	35.0	888	12	1170 - 1300	6000 - 6500
CWB12-M1-CD	8 - 24 VDC	46.9	1192	18	1650 - 1800	6000 - 6500
CWB4-M1-CD	100 - 240 VAC	17.0	433	8	720 - 800	6000 - 6500
CWB6-M1-CD	100 - 240 VAC	22.9	582	9	810 - 900	6000 - 6500
CWB9-M1-CD	100 - 240 VAC	35.0	888	12	1170 - 1300	6000 - 6500
CWB12-M1-CD	100 - 240 VAC	46.9	1192	18	1650 - 1800	6000 - 6500

Note: M1 version comes with 10 ft. (3 meter) cable with leads, mounting clips & screws. M2 version comes with 10 ft. (3 meter) cable with grounded wall outlet plug, mounting clip & screws. To order an optional On/Off switch, add an "L" after the fourth digit (ex. CWB6-M1-CD with on/off switch will be CWB6L-M1-CD).

For more information, please call ECD at 847-516-2524





Power Cable

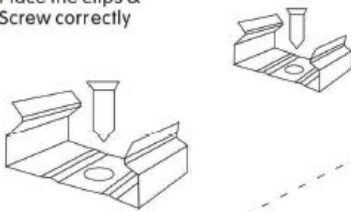
CWB-3DC- For M1 (8-24VDC) model

CWB-3AC- For M2 (100-240VAC) model

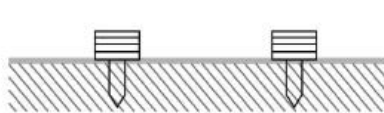
CWB-EC -
Included Link
Connector
(100-240VDC only)

Commodity exhibition

1 Place the clips & Screw correctly



2 Screw fixes Clips



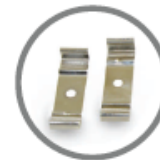
3 Put tube into the clips, then finish



Turn off power before installation

Installation

Mounting Brackets
Included



Mounting Screws
Included



Wall Anchor
Included

