

Sd = 50 ... 400 mm

- hygiene design
- compact design
- measuring distance Sd 50 ... 400 mm

general data

measuring distance Sd	50 ... 400 mm
special type	Hygiene design
adjustment	IO-Link
Teach-in range min.	> 20 mm
power on indication	LED green
soiled lens indicator	LED red
resolution	0,1 ... 1 mm
linearity error	± 1,5 ... ± 4 mm
light source	pulsed point source LED
wave length	660 nm
beam type	point
beam diameter	8 mm
temperature drift	< 0,1 % Sde/K
approvals/certificates	Ecolab EHEDG

electrical data

response time / release time	< 3 ms
voltage supply range +Vs	12 ... 26 VDC
current consumption max. (no load)	80 mA
output circuit	analog
output signal	4 ... 20 mA
load resistance (analog I)	< (+Vs - 10 V) / 0,02 A
output current	< 100 mA
alarm output	push-pull
short circuit protection	yes
reverse polarity protection	yes, Vs to GND

mechanical data

width / diameter	19,6 mm
height / length	52,2 mm
depth	34,3 mm
type	rectangular
housing material	stainless steel 1.4404 (V4A); LSR
front (optics)	PMMA

ambient conditions

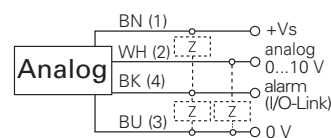
operating temperature	0 ... +50 °C
protection class	IP 68/69K & proTect+

order reference **connection types**

FADH 14I4470/IO	cable 4 pin, 2 m
FADH 14I4470/KS34A/IO	flylead connector M12, L=300 mm



connection diagram



connectors

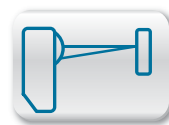
ESG 32AP0200G	4 pin	2 m straight (shielded)
ESG 32AP0500G	4 pin	5 m straight (shielded)
ESW 31AP0500G	4 pin	5 m angular (shielded)

additional cable connectors and field wireable connectors, see accessories

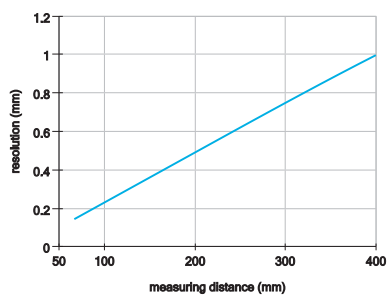
accessories

mounting	ø 17 mm	HI17-1H
----------	---------	---------

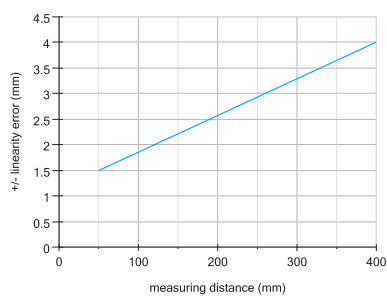
for details, see accessories section



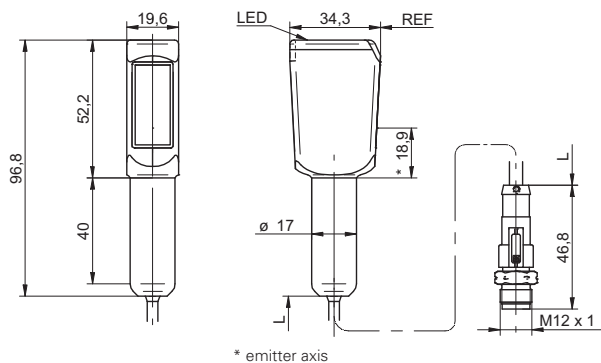
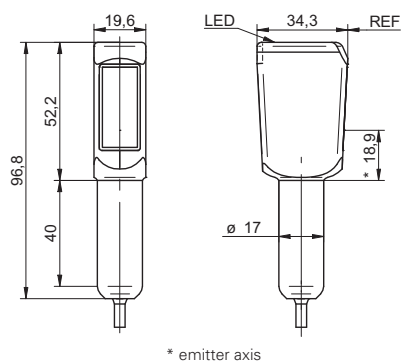
resolution

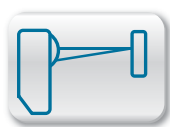


linearity error



dimension drawing





Sd = 50 ... 400 mm

- hygiene design
- compact design
- measuring distance Sd 50 ... 400 mm

general data

measuring distance Sd	50 ... 400 mm
special type	Hygiene design
adjustment	IO-Link
Teach-in range min.	> 20 mm
power on indication	LED green
soiled lens indicator	LED red
resolution	0,1 ... 1 mm
linearity error	± 1,5 ... ± 4 mm
light source	pulsed point source LED
wave length	660 nm
beam type	point
beam diameter	8 mm
temperature drift	< 0,1 % Sde/K
approvals/certificates	Ecolab EHEDG

electrical data

response time / release time	< 3 ms
voltage supply range +Vs	14 ... 26 VDC
current consumption max. (no load)	80 mA
output circuit	analog
output signal	0 ... 10 VDC
load resistance (analog U)	> 100 kOhm
output current	< 100 mA
alarm output	push-pull
short circuit protection	yes
reverse polarity protection	yes, Vs to GND

mechanical data

width / diameter	19,6 mm
height / length	52,2 mm
depth	34,3 mm
type	rectangular
housing material	stainless steel 1.4404 (V4A); LSR
front (optics)	PMMA

ambient conditions

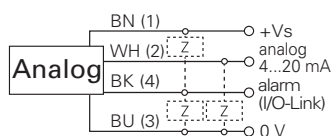
operating temperature	0 ... +50 °C
protection class	IP 68/69K & proTect+

order reference

order reference	connection types
FADH 14U4470/IO	cable 4 pin, 2 m
FADH 14U4470/KS34A/IO	flylead connector M12, L=300 mm



connection diagram



connectors

ESG 32AP0200G	4 pin	2 m straight (shielded)
ESG 32AP0500G	4 pin	5 m straight (shielded)
ESW 31AP0500G	4 pin	5 m angular (shielded)

additional cable connectors and field wireable connectors, see accessories

accessories

mounting	ø 17 mm	HI17-1H
----------	---------	---------

for details, see accessories section