



Sn = 1,5 mm

- probe designed for use up to +180°C
- active face made of LCP
- detached cable amplifier

general data

mounting type	flush
special type	high temperature
nominal sensing distance Sn	1,5 mm
hysteresis	2 ... 25 % of Sr

electrical data

switching frequency	< 4 kHz
voltage supply range +Vs	10 ... 30 VDC
current consumption max. (no load)	12 mA
voltage drop Vd	< 2 VDC
output current	< 200 mA
short circuit protection	yes
reverse polarity protection	yes

mechanical data

type	cylindrical threaded
material (sensing face)	LCP
housing material	stainless steel
dimension	8 mm
housing length	30 mm
connection types	cable, 2 m

ambient conditions

operating temperature	-25 ... +180 °C
protection class	IP 67

accessories

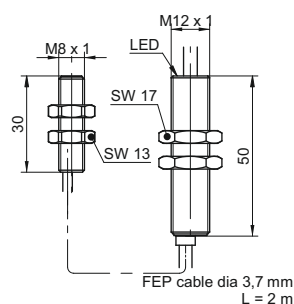
10151719	Sensofix series 08
for details: see accessories section	

order reference

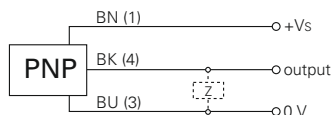
order reference	output circuit
IFRH 08P1501/L	PNP make function (NO)
IFRH 08P3501/L	PNP break function (NC)



dimension drawing



connection diagram





Sn = 2 mm / 5 mm

- probe designed for use up to +180°C
- active face made of LCP
- detached cable amplifier



general data

mounting type	flush
special type	high temperature
hysteresis	2 ... 20 % of Sr

electrical data

voltage supply range +Vs	10 ... 30 VDC
current consumption max. (no load)	12 mA
voltage drop Vd	< 2 VDC
output current	< 200 mA
short circuit protection	yes
reverse polarity protection	yes

mechanical data

type	cylindrical threaded
connection types	cable, 2 m

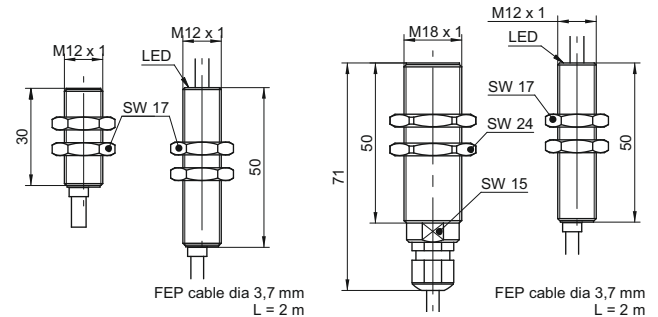
ambient conditions

operating temperature	-25 ... +180 °C
protection class	IP 67

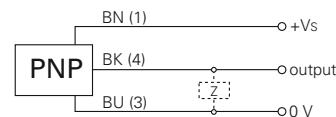
accessories

10151720	Sensofix series 12 round
10151658	Sensofix series 18
for details: see accessories section	

dimension drawings



connection diagram



order reference	nominal sensing distance Sn	switching frequency	output circuit	dimension	housing material	housing length
IFRH 12P1501/L	2 mm	< 2 kHz	PNP make function (NO)	12 mm	brass nickel plated	30 mm
IFRH 12P3501/L	2 mm	< 2 kHz	PNP break function (NC)	12 mm	brass nickel plated	30 mm
IFRH 18P1501/L	5 mm	< 1 kHz	PNP make function (NO)	18 mm	stainless steel	71 mm
IFRH 18P3501/L	5 mm	< 1 kHz	PNP break function (NC)	18 mm	stainless steel	71 mm