



Sd = 200 mm



- compact housing
- very low mass (4 g)
- high resolution

general data

scanning range sd	20 ... 200 mm
scanning range close limit Sdc	20 ... 200 mm
scanning range far limit Sde	20 ... 200 mm
repeat accuracy	< 0,5 mm
resolution	< 0,3 mm
adjustment	Teach-in
sonic frequency	380 kHz
response time ton	< 60 ms
release time toff	< 60 ms
alignment aid	target indication flashing
light indicator	yellow LED / red LED
temperature drift	< 2 % of distance to target So

electrical data

voltage supply range +Vs	15 ... 30 VDC
current consumption max. (no load)	35 mA
output circuit	voltage output
output signal	0 ... 10 V / 10 ... 0 V
output current	< 20 mA
residual ripple	< 10 % Vs
short circuit protection	yes
reverse polarity protection	yes

mechanical data

type	rectangular
housing material	plastic (ASA)
width / diameter	10,4 mm
height / length	27 mm
depth	14 mm

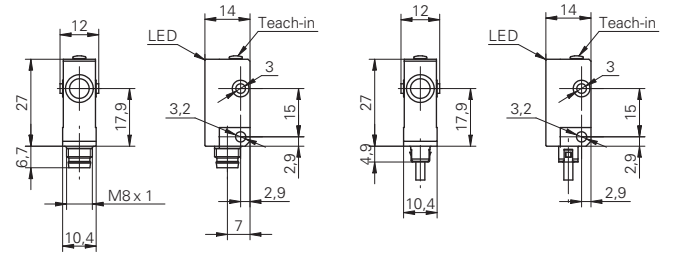
ambient conditions

operating temperature	-10 ... +60 °C
protection class	IP 67

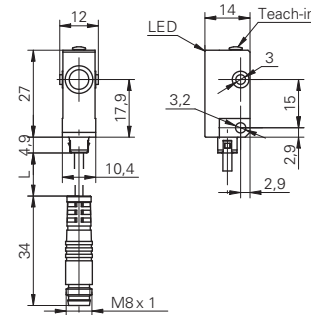
order reference **connection types**

UNDK 10U6914	cable PUR 4 x 0,08, 2 m
UNDK 10U6914/KS35A	flylead connector M8, L=200 mm
UNDK 10U6914/S35A	connector M8

dimension drawings

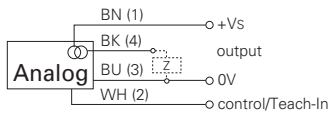


flylead connector version

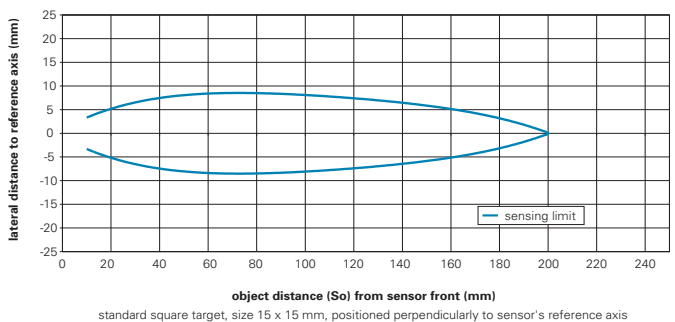


standard cable length 200 mm (L)

connection diagram



typical sonic cone profile



connectors and mating connectors

ESG 32AH0200	Connector M8, 4 pin, straight, 2 m
ESW 31AH0200	Connector M8, 4 pin, angular, 2 m

additional cable connectors and field wireable connectors: see accessories

Accessories

10150326	Sensofix series 10 / series 20
10133792	Mounting bracket series 10 (L design)
10114501	Mounting bracket series 10 (U design)
10162083	Mounting panel for sensors series 10
10162376	Sonic beam deflector for ultrasonic sensors series 10

for details: see accessories section