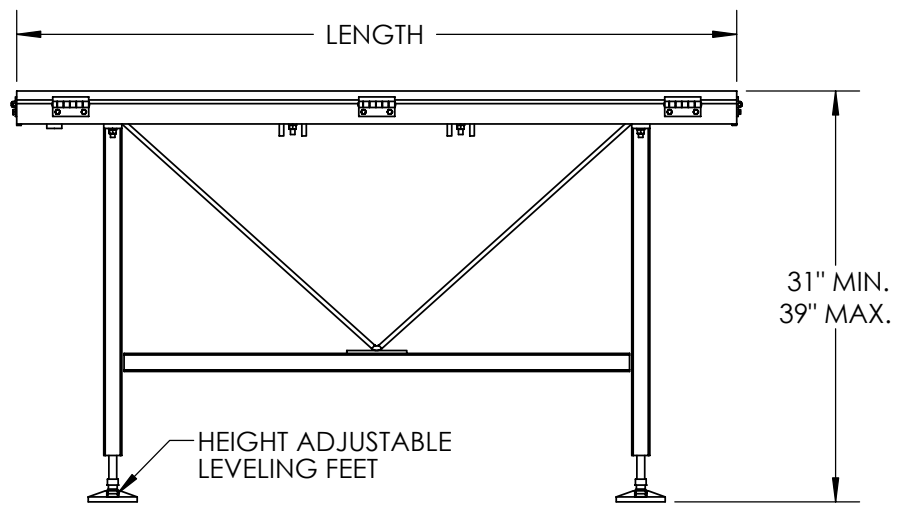
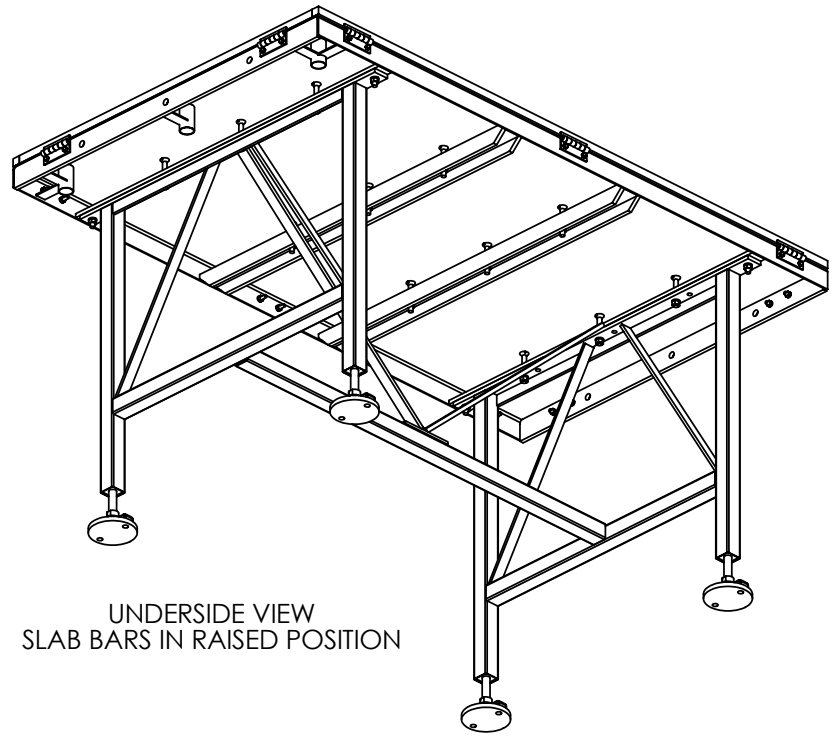


FRONT VIEW
SLAB BARS IN LOWERED POSITION



COOLING TABLE SIZES
WIDTH X LENGTH

- 30" X 60"
- 30" X 72"
- 36" X 72"
- 36" X 96"




UNDERSIDE VIEW
SLAB BARS IN RAISED POSITION

MAT.
AS PER PART
FIN. -

UNLESS OTHERWISE SPECIFIED
ALL DIMENSIONS ARE INCHES
TOLERANCES ARE
.X = ±.03
.XX = ±.01
.XXX = ±.005
ANGLES = ±0.5°
SURFACE FINISH = 125 MIC. IN
BREAK AND DEBURR ALL EDGES

DO NOT SCALE DRAWING

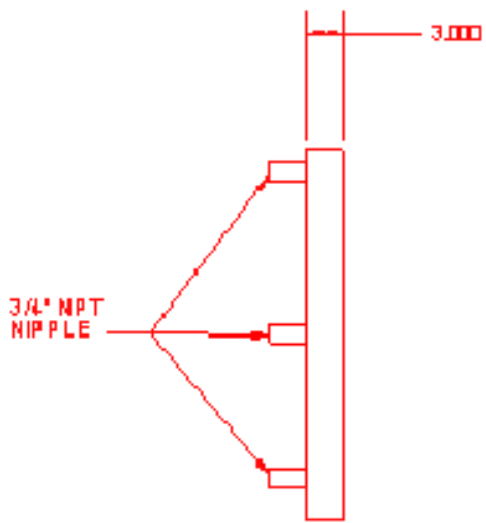
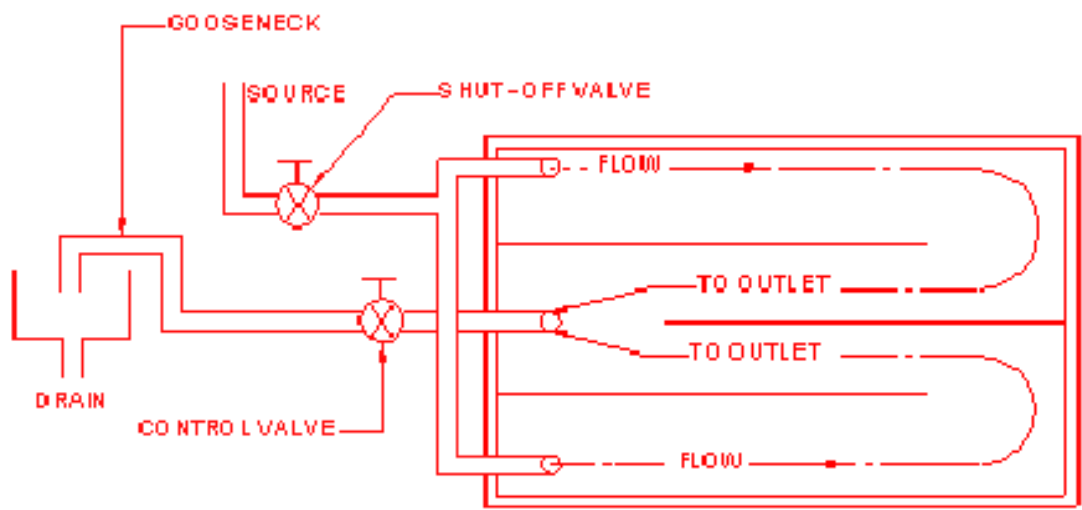


SAVAGE BROS. CO.
1125 W. Lunt Ave
Elk Grove Village, IL 60007 U.S.A.
Phone: (847) 981 - 3000
USA Fax: (800) 2 - SAVAGE
World Fax: (847) 981 - 3010

**COOLING TABLE
OVERALL DIMENSIONS**

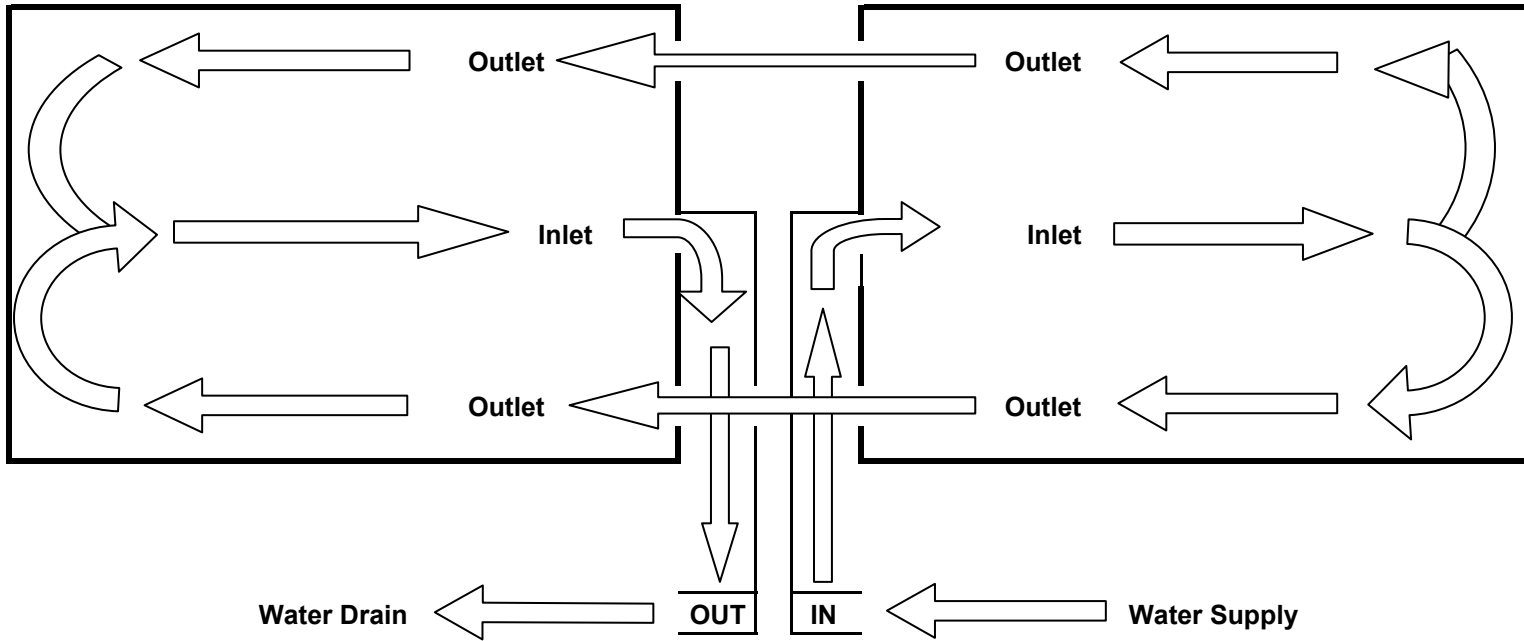
DWG. NUM.

DRAWN BY MP	DATE 06-25-04	SCALE SCALE: 1:16	SHEET 1 OF 1
----------------	------------------	----------------------	-----------------



COOLING TABLE WATER FLOW

Connecting Two Cooling Tables Using One Water Supply



Inlets/Outlets are regular 3/4" Hose type fittings.
You can use flexible hose to connect from your water supply to the fittings and also from one table to the other.