



**SAVAGE**  
**BROS. CO.**  
S I N C E 1 8 5 5

1125 Lunt Avenue  
Elk Grove Village, IL 60007-5023 USA



Phone: 847-981-3000  
USA Fax: 800-2-SAVAGE  
World Fax: +847-981-3010

E-mail: [info@savagebros.com](mailto:info@savagebros.com)  
Web: [www.savagebros.com](http://www.savagebros.com)

*A 21<sup>st</sup> Century Company . . . with 19<sup>th</sup> Century Craftsmanship*

## LIFT/TILT/TURN ROTATING BOWL LIFT

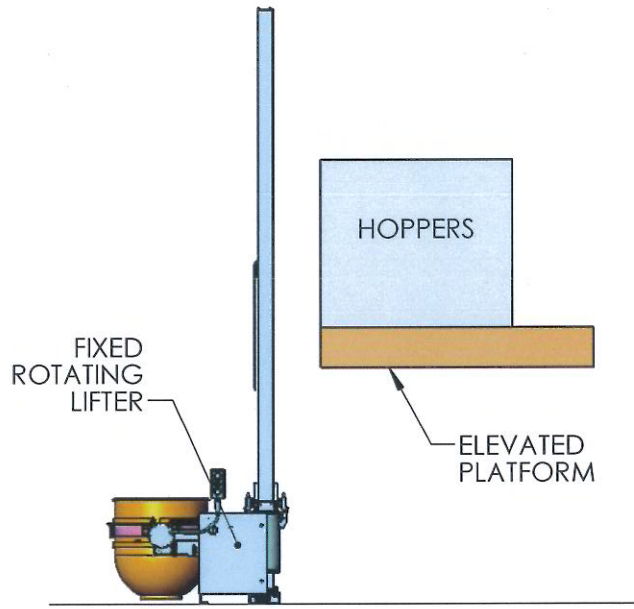


### SAFE ONE PERSON OPERATION

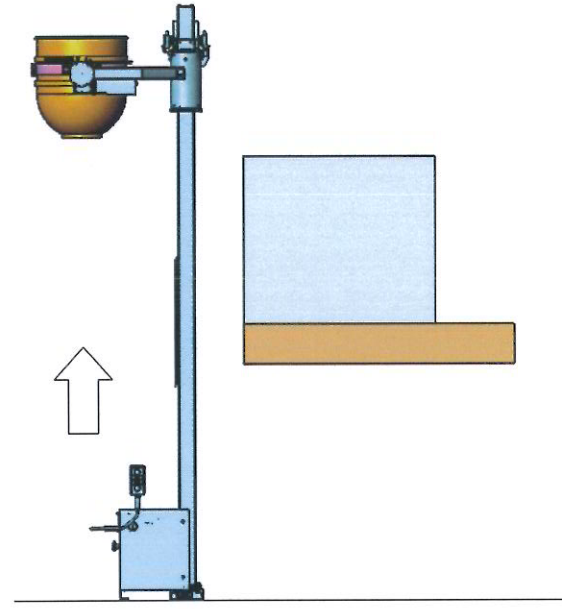
- Fixed-in-place bowl lift for tight spaces
- Roll bowl to lift – Arms latch onto bowl – LIFT\_TURN\_TILT
- Permits up to 90 degree turn either direction
- Place in between two hoppers and feed both!
- 220VAC Single Phase hydraulic LIFT with electric TURN and TILT
- Optional Hand-Rotate geared TURN
- Fail-safe hydraulic and bowl locking systems
- Models up to 12 foot pouring height for 140 Qt mixing bowls
- Configurations for bowls, barrels, drums, tubs – just ask us!



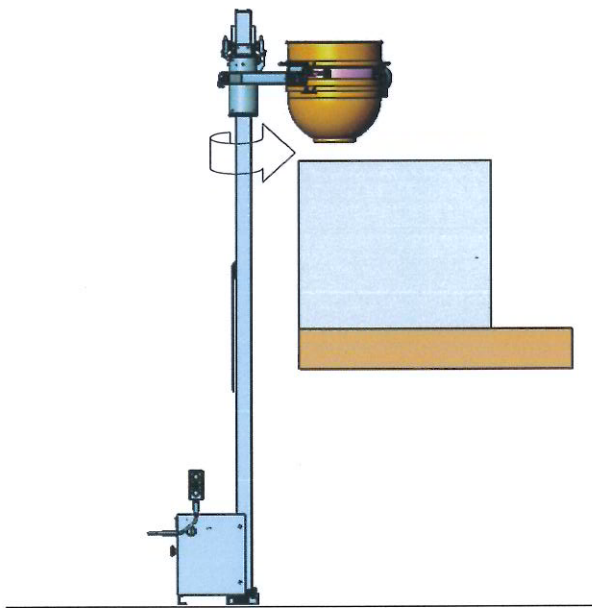
Gas & Electric Stoves + Copper & Stainless Kettles + Freemover Cooker-Mixers + Carousel Line + Bowl & Kettle Lift/Trucks + Cooling Tables + Chocolate Tempering + Depositing & Transfer Systems



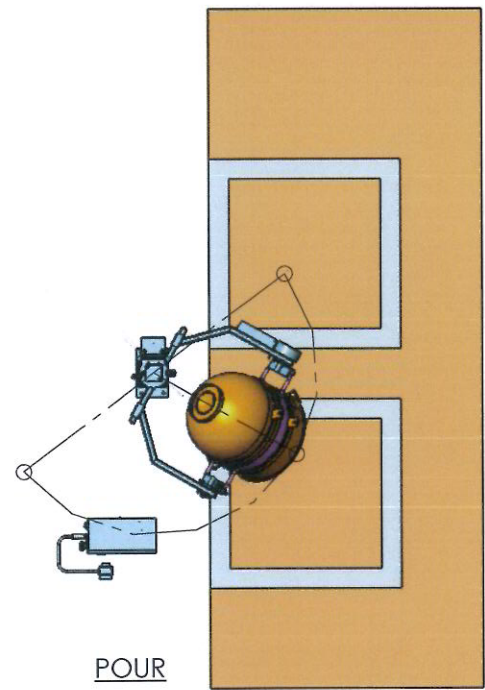
HOME POSITION



LIFT

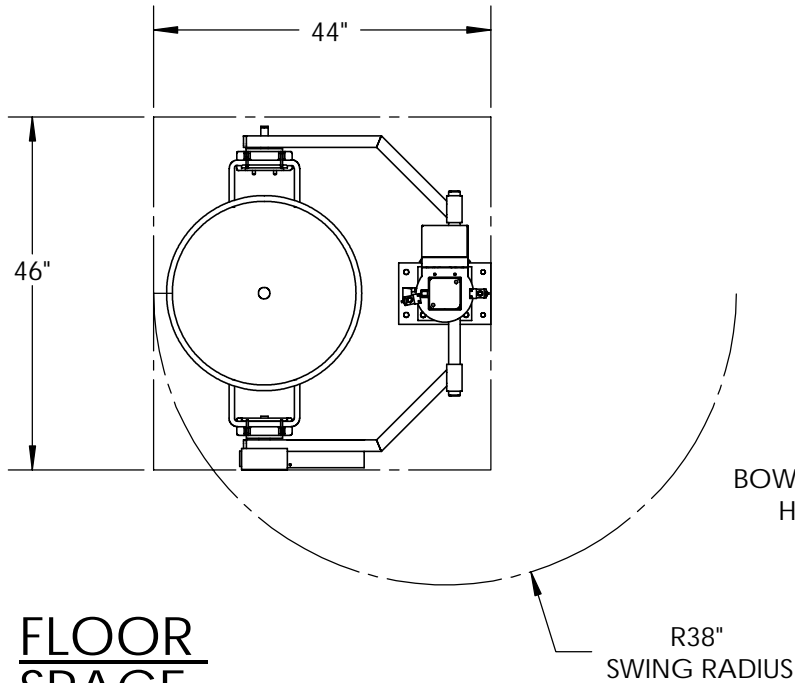


ROTATE

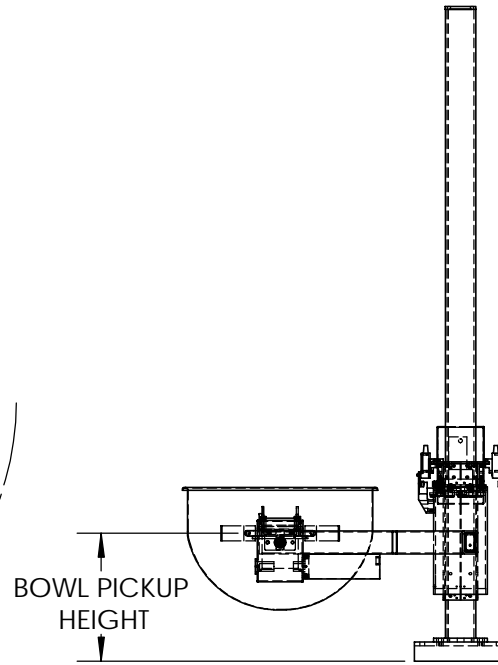


POUR

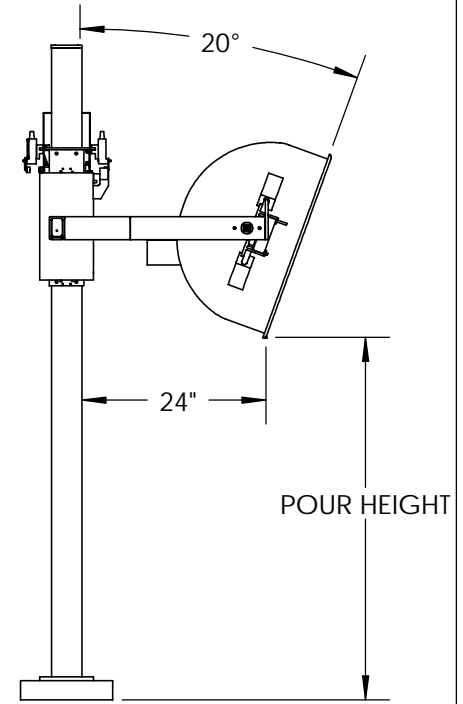
TOP VIEW



FLOOR  
SPACE  
REQUIREMENTS



KETTLE PICKUP  
REQUIREMENT



POUR  
REQUIREMENTS

MAT.  
AS PER PART  
FIN. -

UNLESS OTHERWISE SPECIFIED  
ALL DIMENSIONS ARE INCHES  
TOLLERANCES ARE  
.X = ±.03  
.XX = ±.01  
.XXX = ±.005  
ANGLES = ±0.5°  
SURFACE FINISH = 125 MIC. IN  
BREAK AND DEBURR ALL EDGES

DO NOT SCALE DRAWING



**SAVAGE BROS. CO.**  
1125 W. Lunt Ave  
Elk Grove Village, IL 60007 U.S.A.  
Phone: (847) 981 - 3000  
USA Fax: (800) 2 - SAVAGE  
World Fax: (847) 981 - 3010

**FIXED ROTATING LIFTER  
FLOOR FOOTPRINT & POUR REQUIREMENTS**

DWG. NUM. **RD-FIXED ROT LIFTER FOOTPRINT**

|          |          |            |        |
|----------|----------|------------|--------|
| DRAWN BY | DATE     | SCALE      | SHEET  |
| ML       | 03.09.04 | SCALE:1:25 | 1 OF 2 |