



**SAVAGE  
BROS. CO.**  
S I N C E 1 8 5 5

1125 Lunt Avenue  
Elk Grove Village, IL 60007-5023 USA



Phone: 847-981-3000  
USA Fax: 800-2-SAVAGE  
World Fax: +847-981-3010

E-mail: info@savagebros.com  
Web: www.savagebros.com

*A 21<sup>st</sup> Century Company . . . with 19<sup>th</sup> Century Craftsmanship*

**NEW!**

## #33 GAS COOKER WITH DIGITAL TEMPERATURE CONTROL

This is the “cooker” half of the Savage S-92 FireMixer Cooker-Mixer – the gas stove and digital temperature control system without the power agitator. It is designed for cooking syrups and hard candy with accurate temperature control that do not require agitation.

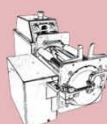
- 130,000 BTU 44 Jet atmospheric cast iron gas burner – available for NG Natural Gas or LP Liquefied Propane Gas
- Electronic spark pilot ignition
- Digital temperature controller with audible set-point alarm
- Batch temperature sensor with lift-up probe and gas-off safety feature
- Stainless steel insulated stove shell on powder painted steel base
- Requires 24”/610mm diameter kettle
- 208-240VAC single phase electric and ¾” NPT gas line required



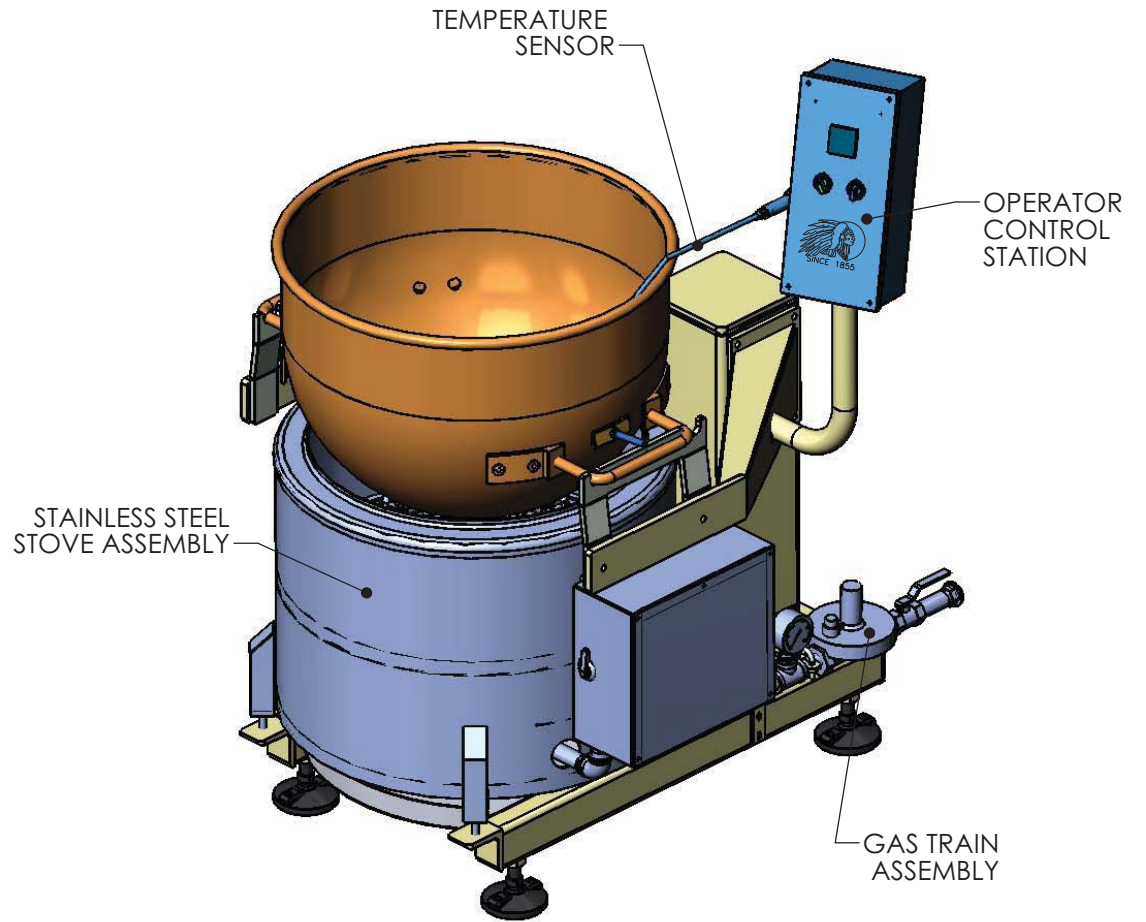
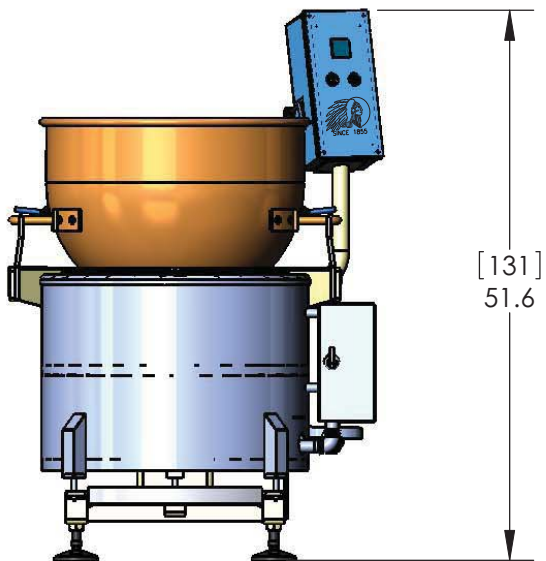
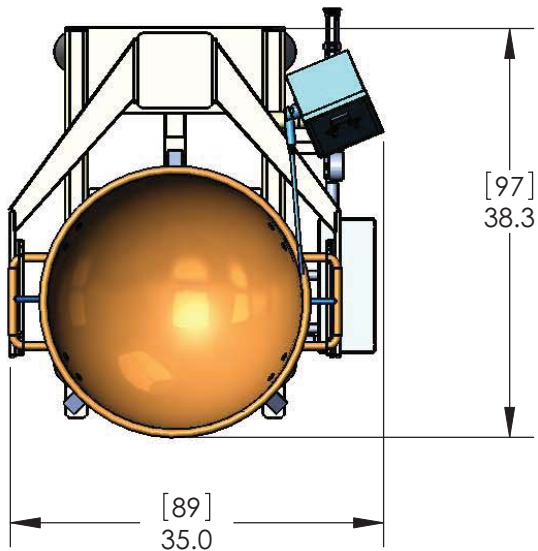
Operator Control Panel



Lift-Up Temperature Probe



Gas & Electric Stoves ♦ Copper & Stainless Kettles ♦ FireMixer Cooker-Mixers ♦ Carousel Line ♦ Bowl & Kettle LiFTILTruks ♦ Cooling Tables ♦ Chocolate Tempering ♦ Depositing & Transfer Systems



**QUOTATION**

FOR QUOTATIONAL PURPOSES ONLY

ALL DESIGNS SUBJECT TO FINAL APPROVAL BEFORE MANUFACTURE

UNLESS OTHERWISE SPECIFIED ALL DIMENSIONS ARE INCHES

DO NOT SCALE DRAWING



**SAVAGE BROS. CO.**

1125 W. Lunt Ave  
Elk Grove Village, IL 60007 U.S.A.  
Phone: (847) 981 - 3000  
USA Fax: (800) 2 - SAVAGE  
World Fax: (847) 981 - 3010

**#33 GAS COOKER  
OVERALL DIMENSIONS**

DWG. NUM. 0250

DRAWN BY	DATE	SCALE	SHEET
MP	10-14-08	SCALE: 1:18	1 OF 1