



SAVAGE
BROS. CO.
 SINCE 1855

A 21st Century Company . . . with 19th Century Craftsmanship

1125 Lunt Avenue
 Elk Grove Village, IL 60007-5023 USA

Phone: 847-981-3000
 USA Fax: 800-2-SAVAGE
 World Fax: +847-981-3010

E-mail: info@savagebros.com
 Web: www.savagebros.com

Eliminate Tiring Mould Shaking with a . . .

Heavy Duty **VIBRATING TABLE**

For Chocolate & Hard Candy Moulds
 NEW – Holds Full-Size Baking Sheets!



Shown Holding
 Chocolate Mould

The Savage Bros. Vibrating Table is manufactured to be a versatile addition to your candy kitchen

- Noiseless
- Uniform Vibration
- Vibration stays on the top plate
- Can hold up to 200lbs

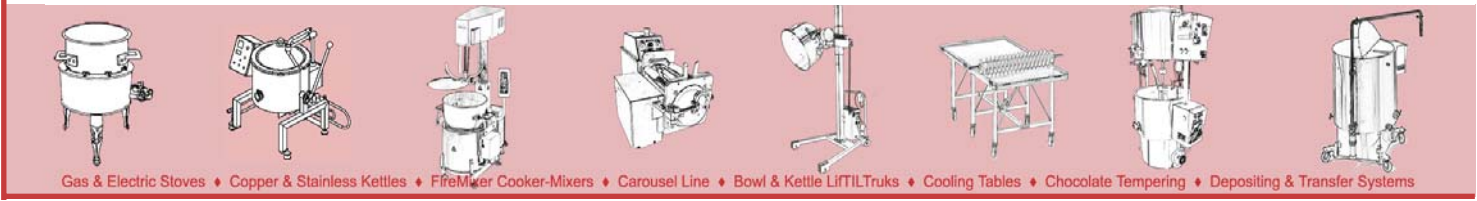


Fits 18" x 26" Baking Sheet

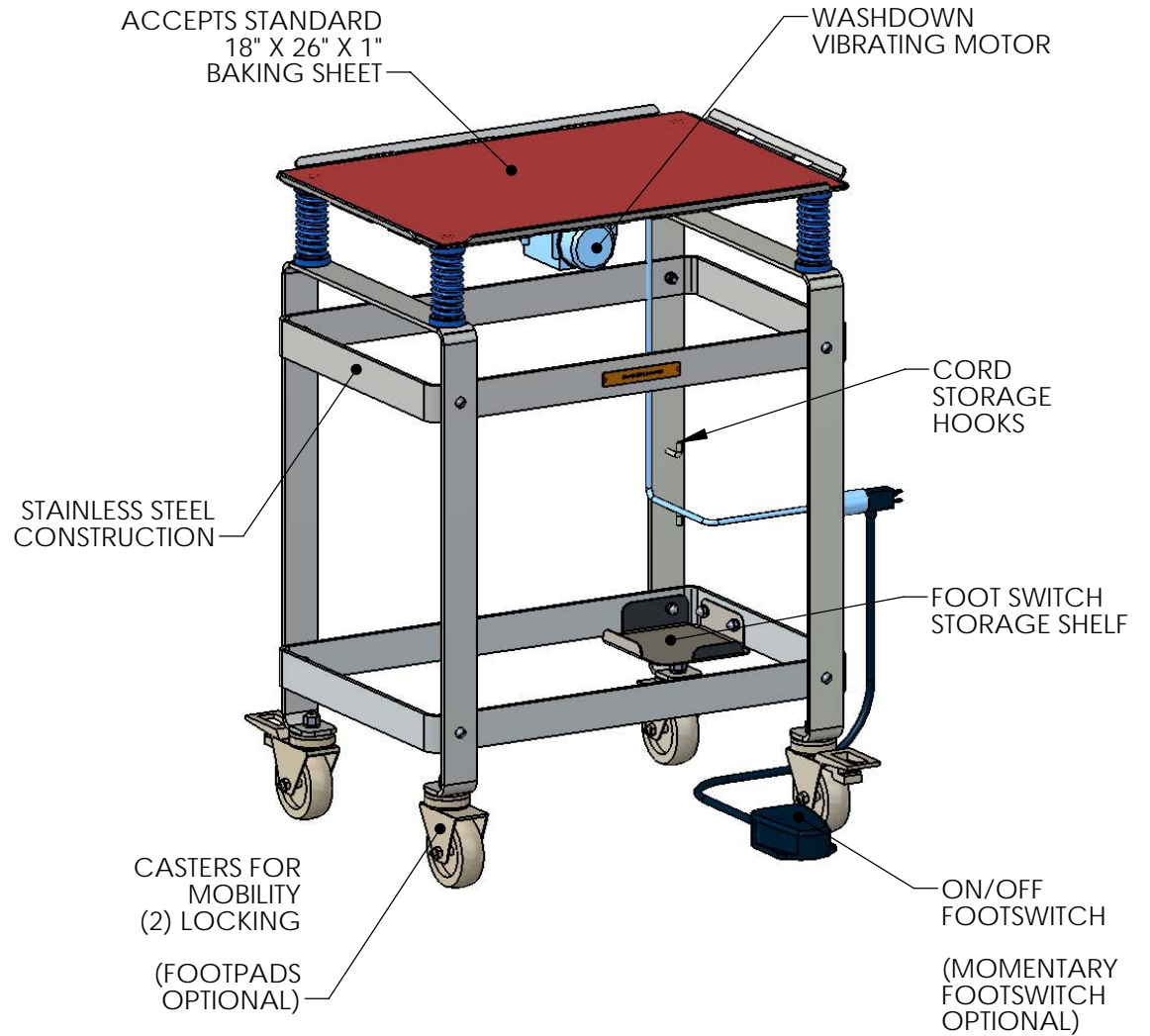
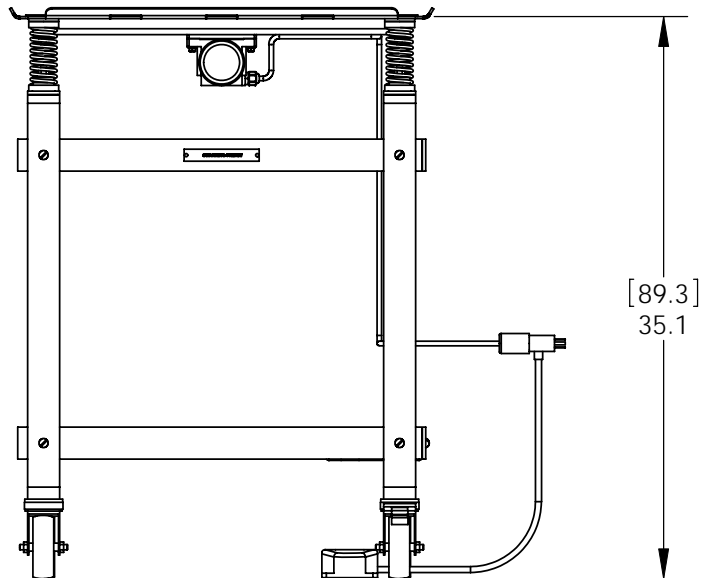
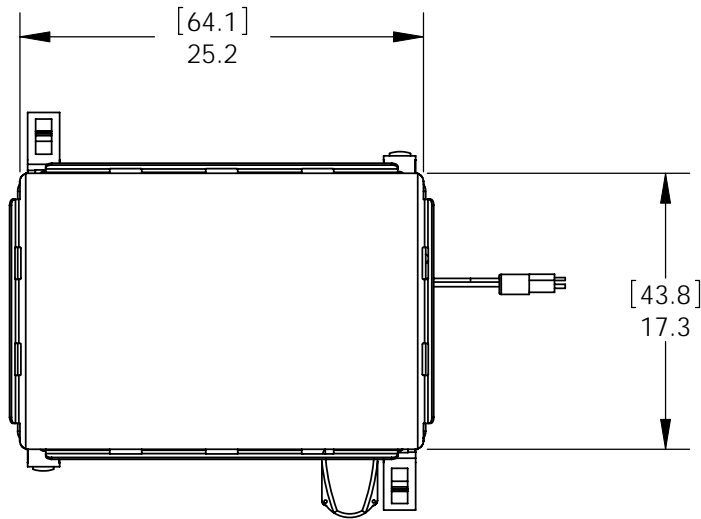
Additional Features:


- Stainless Steel Frame
- Rubber Casters, (2) Locking
- Press-On/Press-Off Controls
- Storage shelf for footswitch
- 110VAC 60HZ /230VAC 50HZ motor, Wash-down, sanitary design
- Doubles as Mobile Cart

Savage Item #1384 Also available with Footpads in lieu of casters (height adjustable) and/or Momentary Footswitch in lieu of On/Off switch.



Gas & Electric Stoves ♦ Copper & Stainless Kettles ♦ FireMixer Cooker-Mixers ♦ Carousel Line ♦ Bowl & Kettle Lift/Trucks ♦ Cooling Tables ♦ Chocolate Tempering ♦ Depositing & Transfer Systems



<p>QUOTATION</p> <p>FOR QUOTATIONAL PURPOSES ONLY</p> <p>ALL DESIGNS SUBJECT TO FINAL APPROVAL BEFORE MANUFACTURE</p> <p>UNITS: [CENTIMETERS] INCHES</p>	DO NOT SCALE DRAWING			
	 <p>SAVAGE BROS. CO. 1125 W. Lunt Ave Elk Grove Village, IL 60007 U.S.A. Phone: (847) 981 - 3000 USA Fax: (800) 2 - SAVAGE World Fax: (847) 981 - 3010</p>			
	<p>BAKING SHEET VIBRATING TABLE OVERALL DIMENSIONS</p> <p>DWG. NUM. SD-BAKING_SHEET_VIBRATING_TABLE</p>			
	DRAWN BY MP	DATE 06-10-08	SCALE SCALE: 1:12	SHEET 1 OF 1